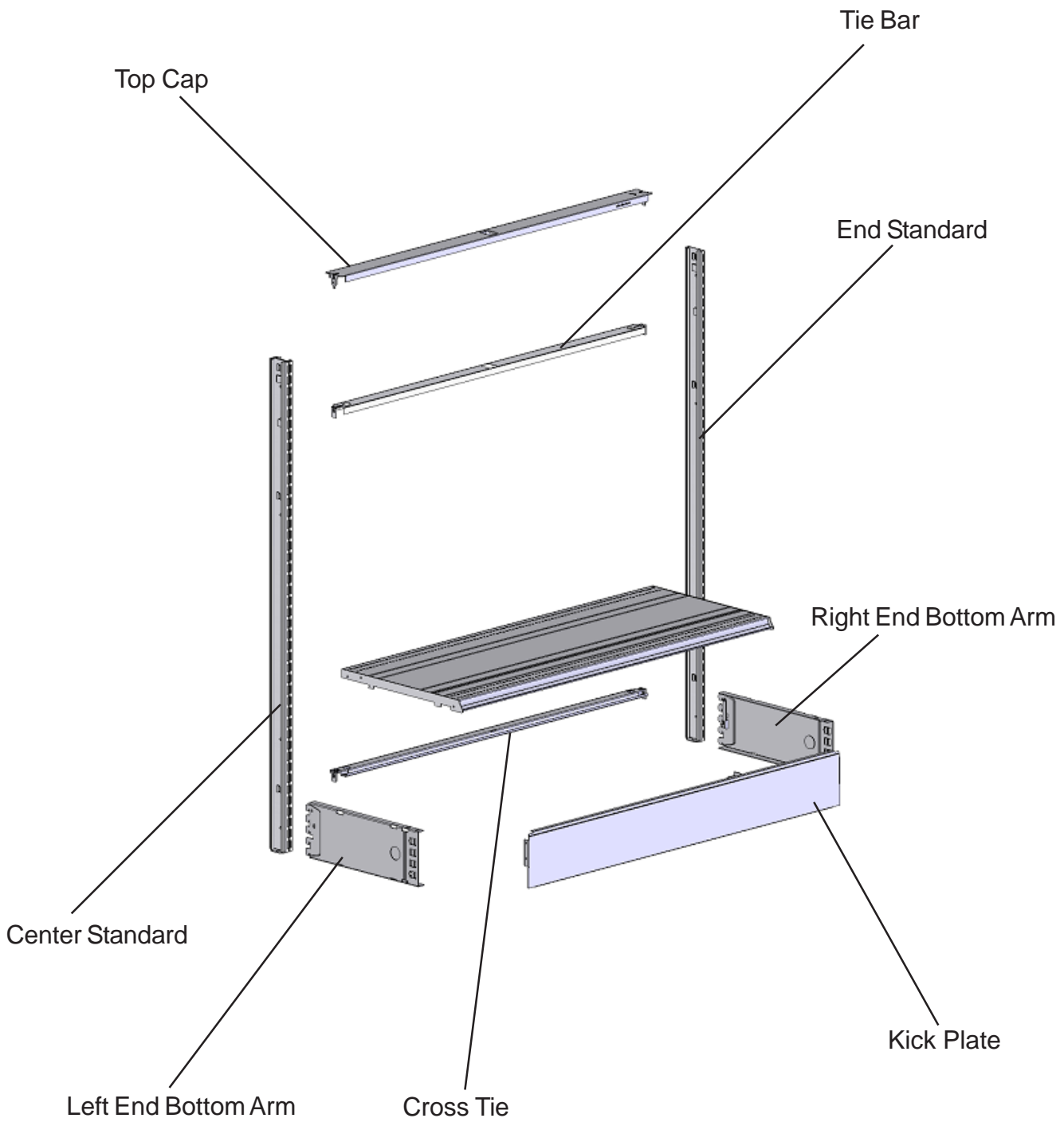
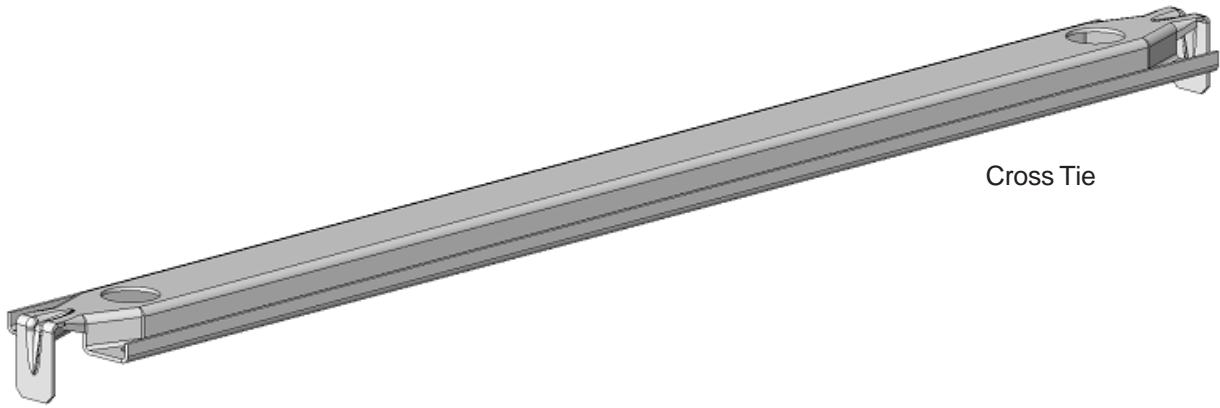


ULTRA 25K GONDOLA / WALLCASE ASSEMBLY

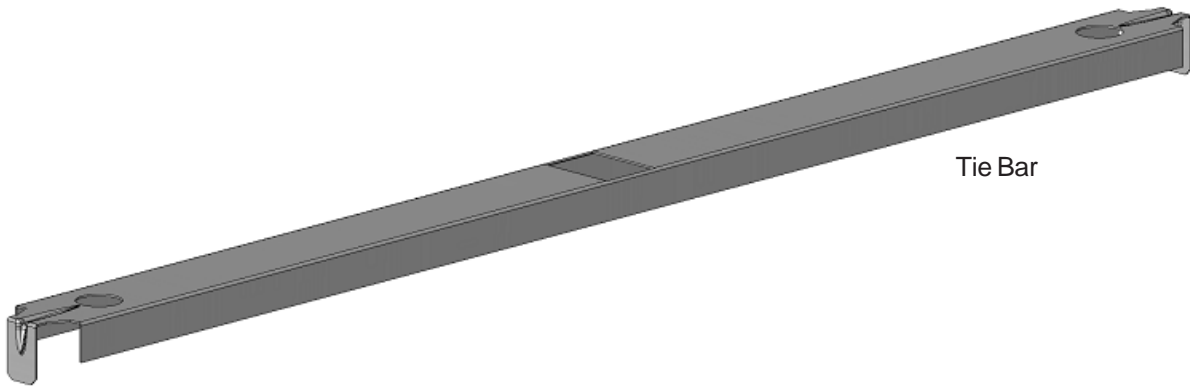
PART IDENTIFICATION



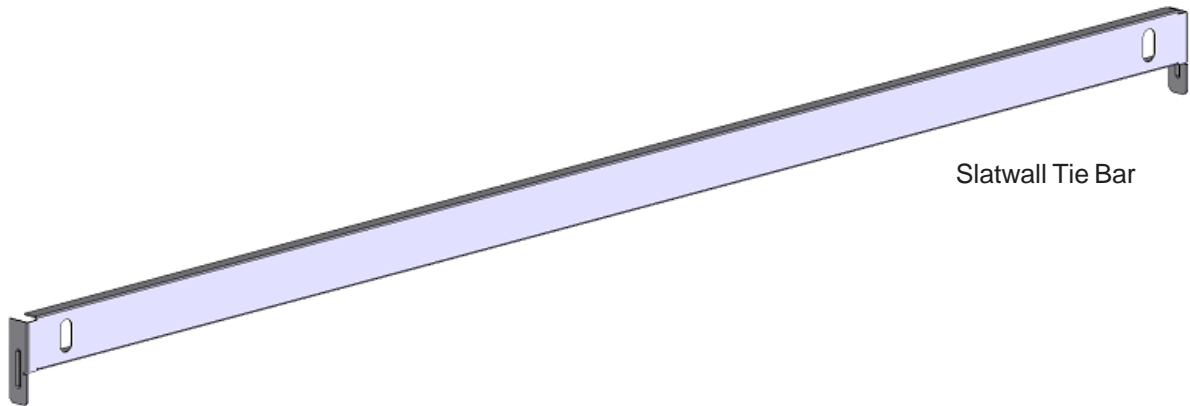
PART IDENTIFICATION



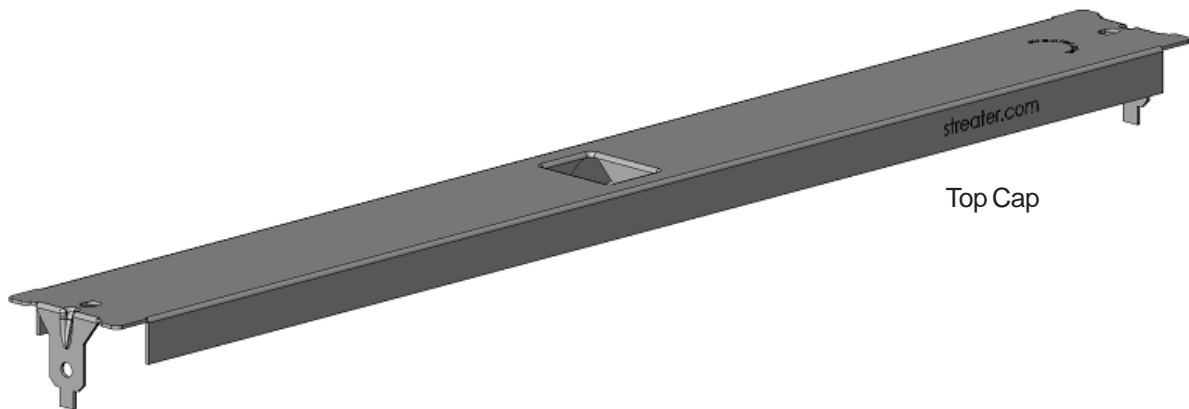
Cross Tie



Tie Bar

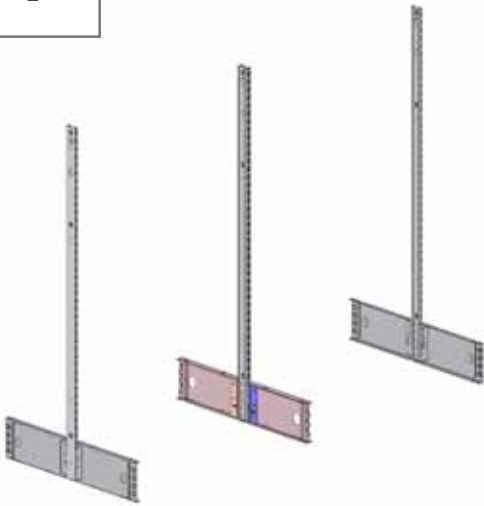


Slatwall Tie Bar



Top Cap

1

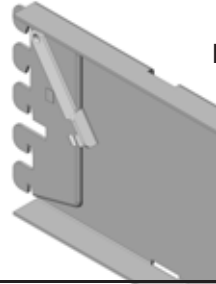


With the left upright (smooth side out) in hand, take the left hand bottom arm (smooth side out) then slide it into the upright and push down to seat the hooks.

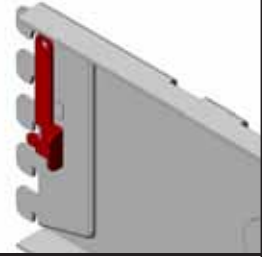
To lock the bottom arm into place use a mallet and tap the locking key into the corresponding slot in the upright.

Repeat step with right side components.

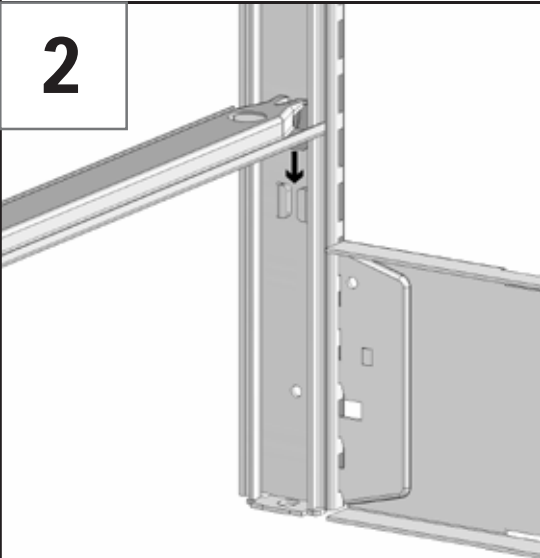
Unlocked



Locked

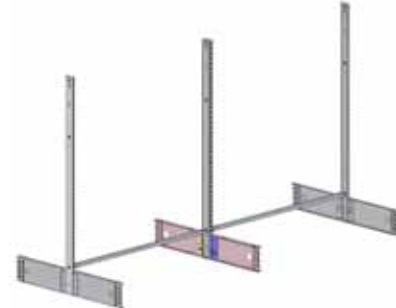


2

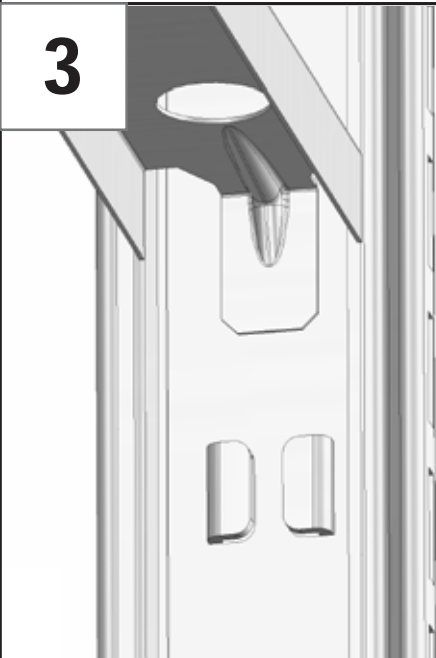


Slide the cross tie into place on one upright and then the other as pictured to the left.

Note: With your mallet tap the cross tie directly over the tab to properly seat it.

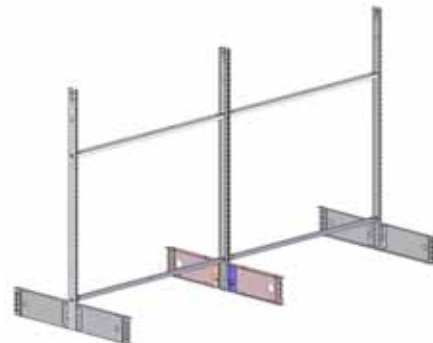


3



Next, install the tie bar by sliding it into place as pictured to the left. You may need to tap the tiebar to properly secure it.

Note: With your mallet tap the tie bar directly over the tab to properly seat it.

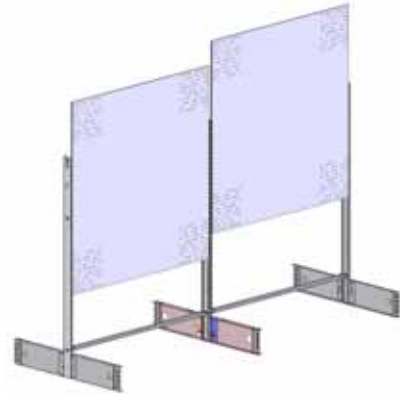
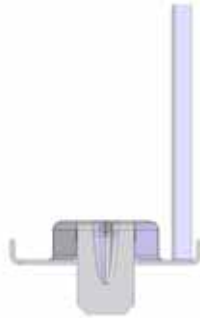
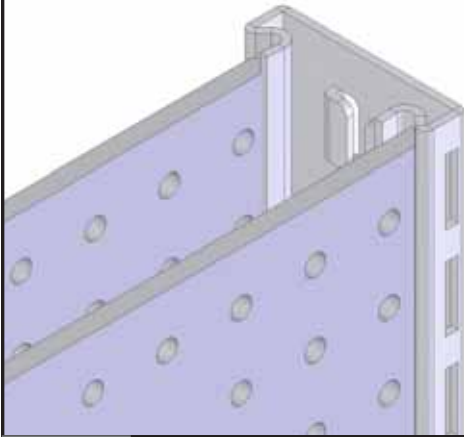


3

ULTRA 25K GONDOLA ASSEMBLY
Bottom arms, cross tie, tie bar

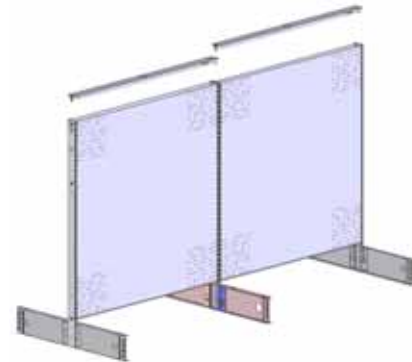
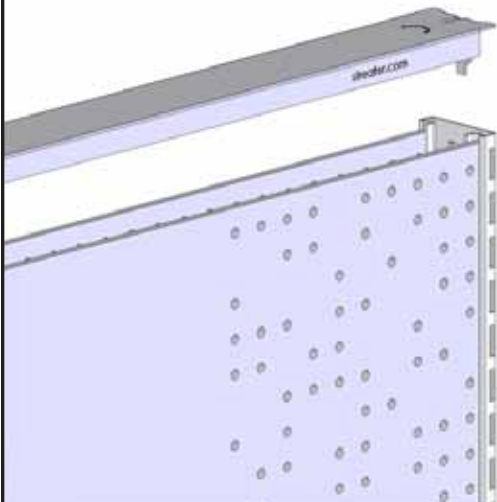
4

Install the back panel by inserting it into the channels slightly above the tie bar and slide it down the channels on the uprights as shown to the left. When installed the back panel should rest in the cross tie channel.



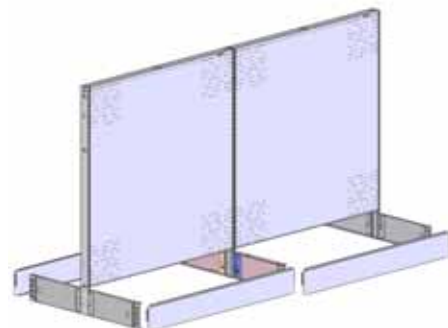
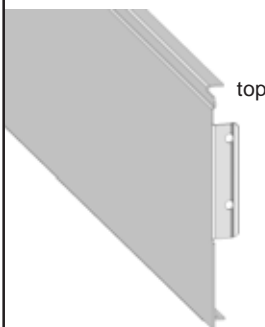
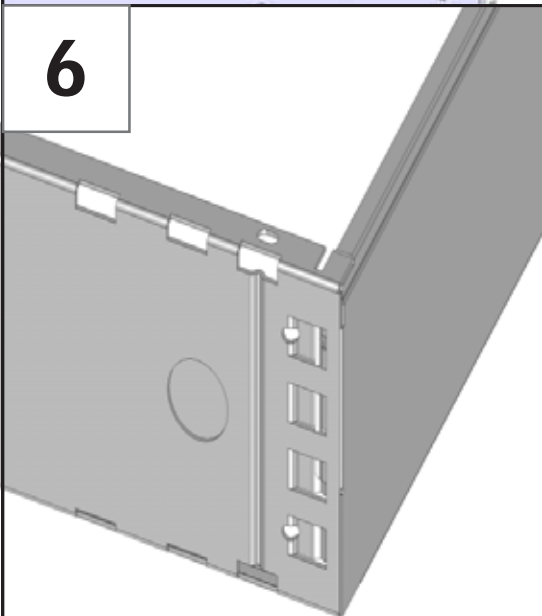
5

Slide the top cap over the back panels and tap with your hand to seat it. When seated the topcap should be flush across the top.



6

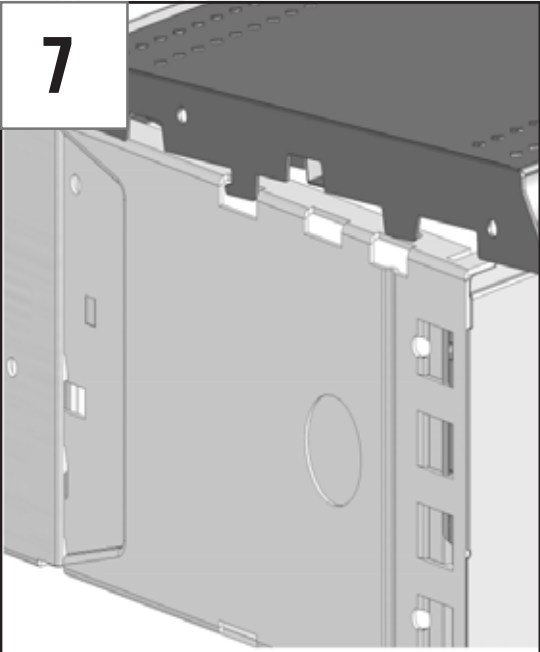
Align the kick plate tabs with the fingers of the bottom arms. Tap kick plate with your hand or a mallet to seat the tabs securely in the fingers of the bottom arm. Repeat step for opposite side.



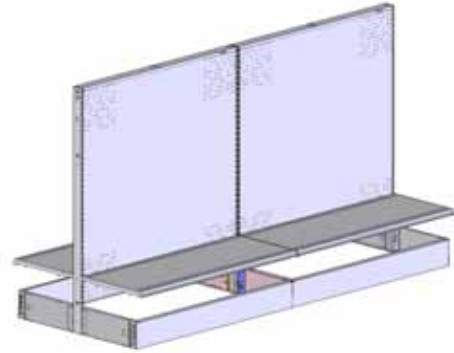
4

ULTRA 25K GONDOLA ASSEMBLY
Back Panels, top cap, kick plate

7



Tip the deck up slightly and slide it into the slots on the bottom arms. When installed correctly the deck should not tip forward when you push on the front of the deck. Repeat this step for opposite side.



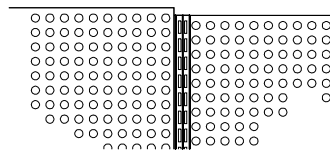
8

WALLCASE AND GONDOLA MUST BE LEVEL!

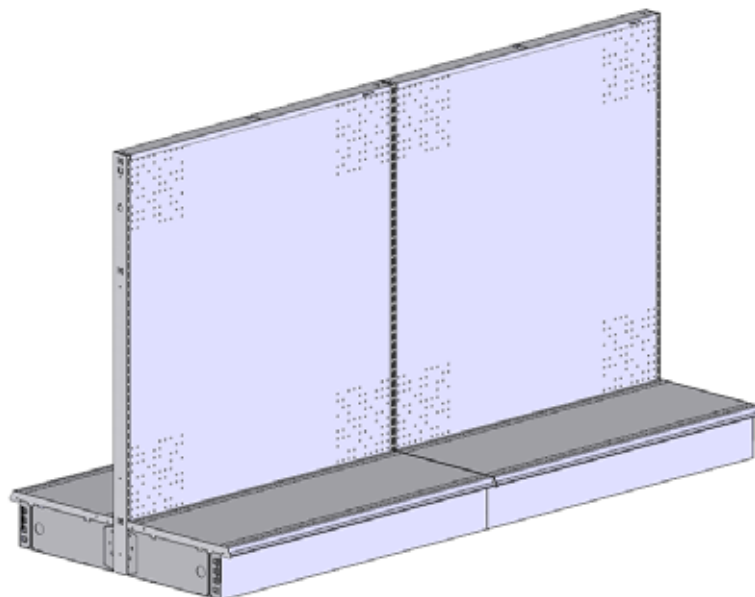
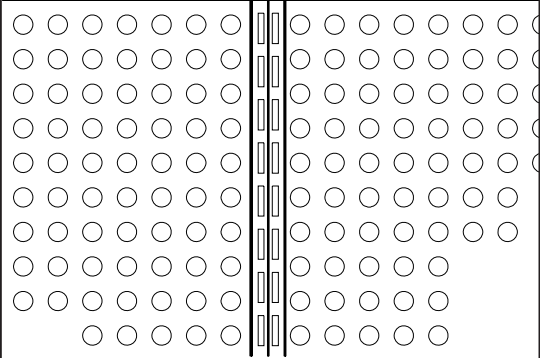
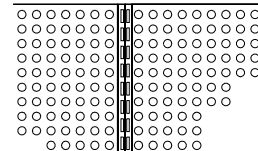
Start leveling from the high point on the floor and go out each way. Run must be level both vertically and horizontally.

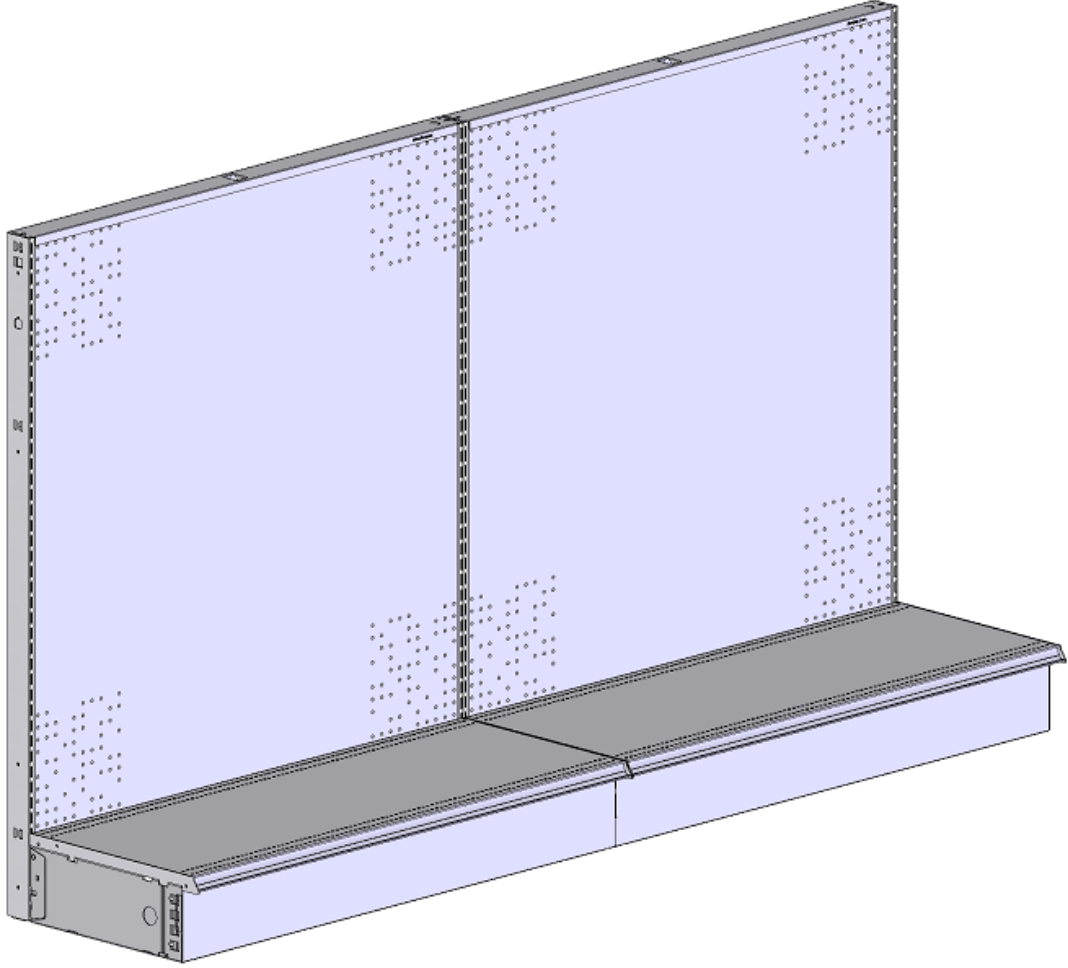
STABILITY OF FIXTURE WITH LEVELERS DEMANDS THAT LEVELERS BE ADJUSTED OUT NO FURTHER THAN 1-1/2".

WRONG



UNIT LEVEL





ULTRA 25K WALLCASE ASSEMBLY

1

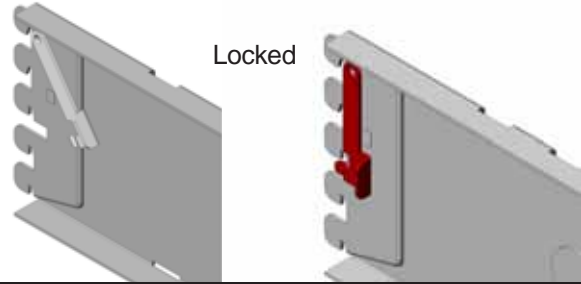
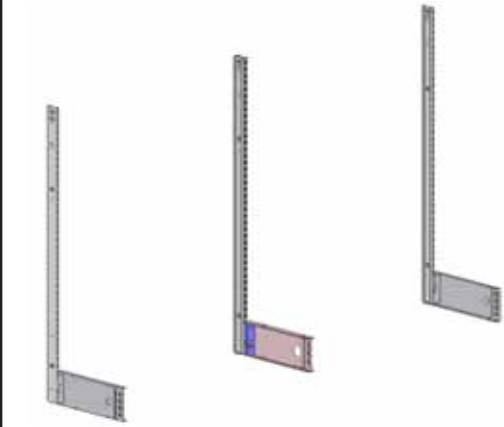
With the left upright (smooth side out) in hand, take the left hand bottom arm (smooth side out) then slide it into the upright and push down to seat the hooks.

To lock the bottom arm into place use a mallet and tap the locking key into the corresponding slot in the upright.

Repeat step with right side components.

Unlocked

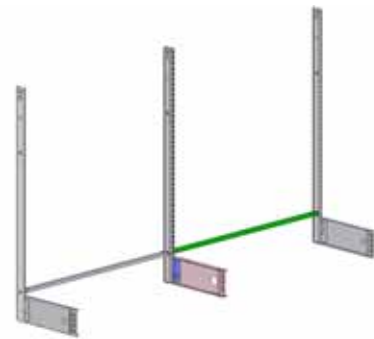
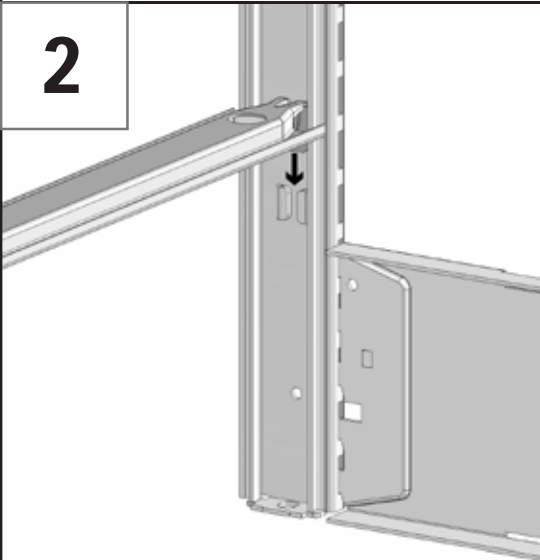
Locked



2

Slide the cross tie into place on one upright and then the other as pictured to the left.

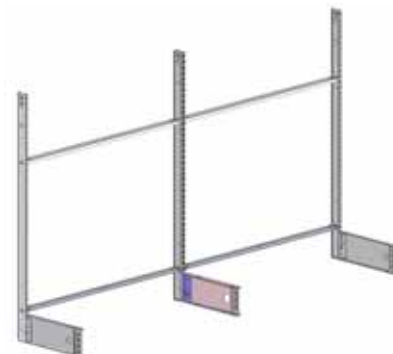
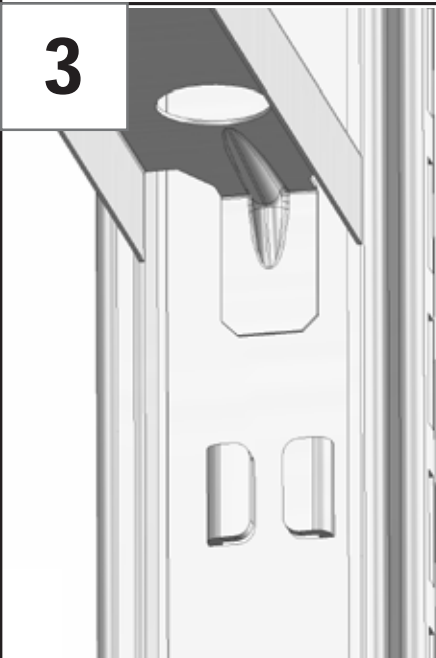
Note: With your mallet tap the cross tie directly over the tab to properly seat it.



3

Next, install the tie bar by sliding it into place as pictured to the left. You may need to tap the tiebar to properly secure it.

Note: With your mallet tap the tie bar directly over the tab to properly seat it.

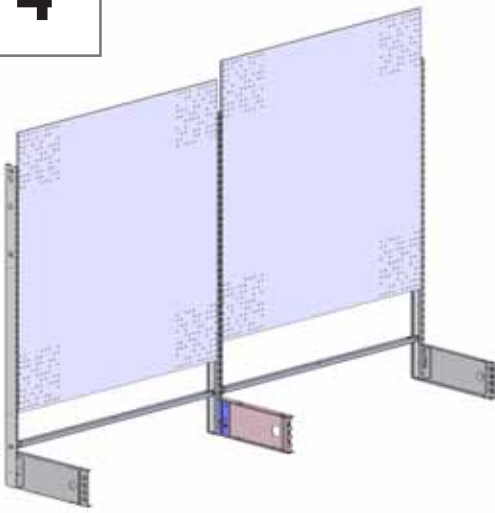


6

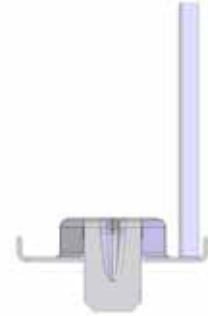
ULTRA 25K WALLCASE ASSEMBLY
Bottom arms, cross tie, tie bar

STREATER
A Morrison Medical Services Company
R03-28-06 - Form No.08335-0106

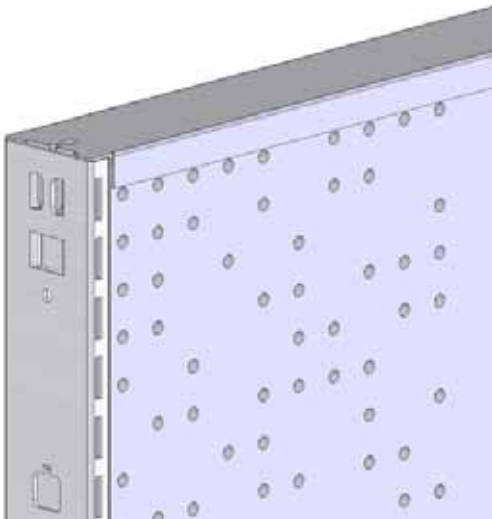
4



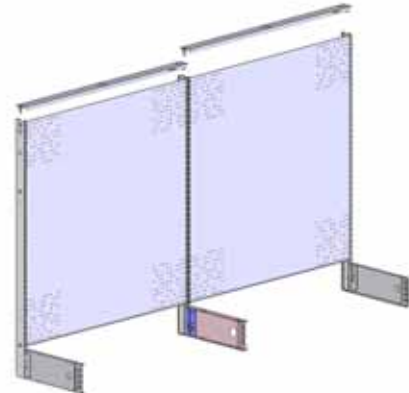
Install the back panel by inserting it into the channels slightly above the tie bar and slide it down the channels on the uprights as shown to the left. When installed the back panel should rest in the cross tie channel.



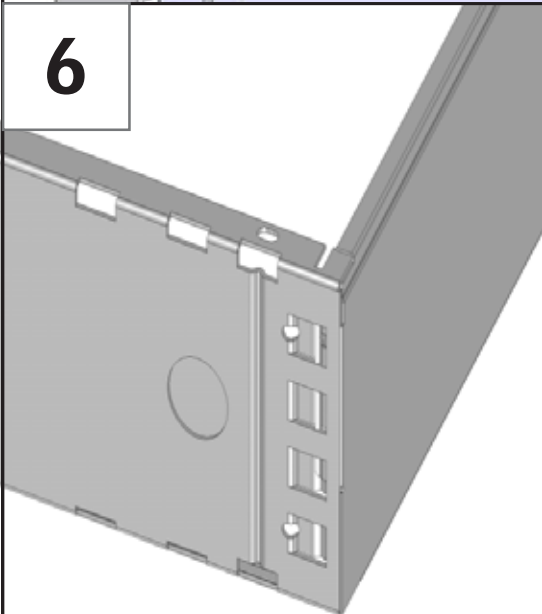
5



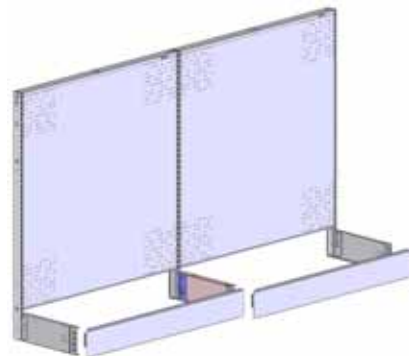
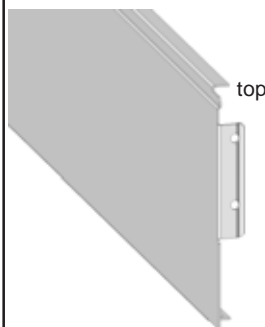
Slide the top cap over the back panels and tap with your hand to seat it. When seated the topcap should be flush across the top.



6



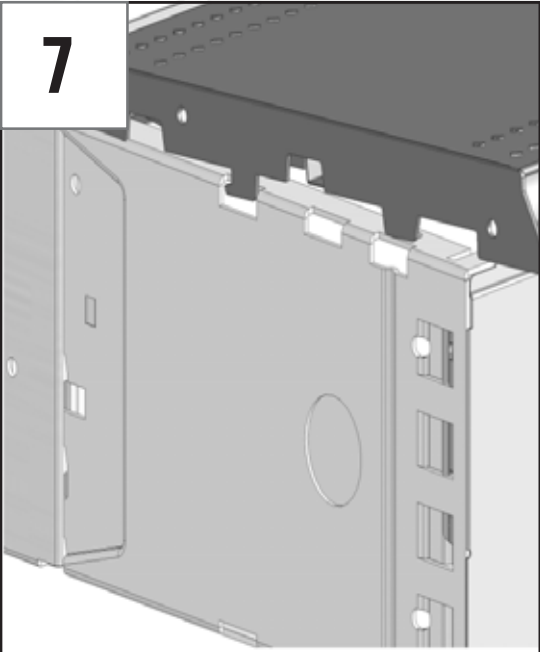
Align the kick plate tabs with the fingers of the bottom arms. Tap kick plate with your hand or a mallet to seat the tabs securely in the fingers of the bottom arm. Repeat step for opposite side.



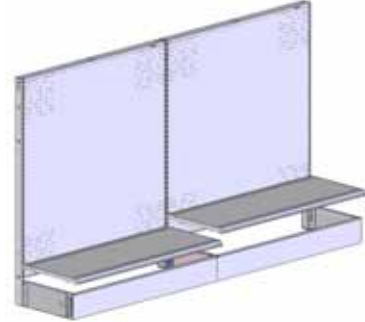
7

ULTRA 25K WALLCASE ASSEMBLY
Back Panels, top cap, kick plate

7



Tip the deck up slightly and slide it into the slots on the bottom arms. When installed correctly the deck should not tip forward when you push on the front of the deck. Repeat this step for opposite side.



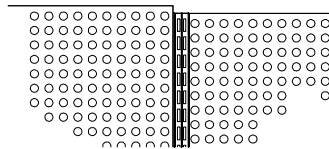
8

WALLCASE AND GONDOLA MUST BE LEVEL!

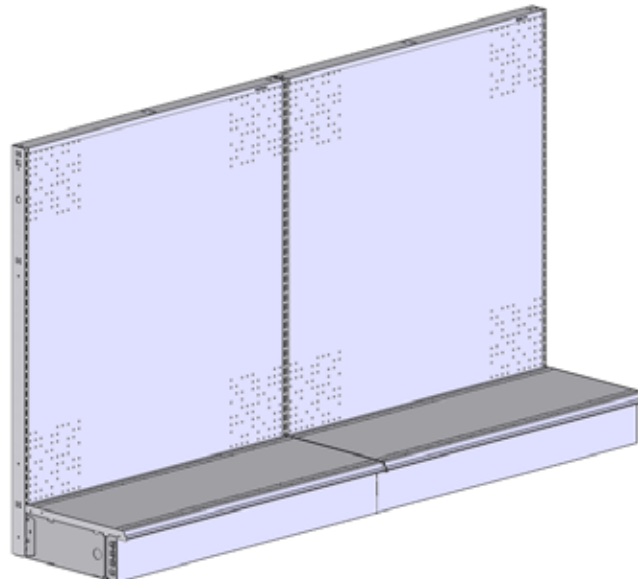
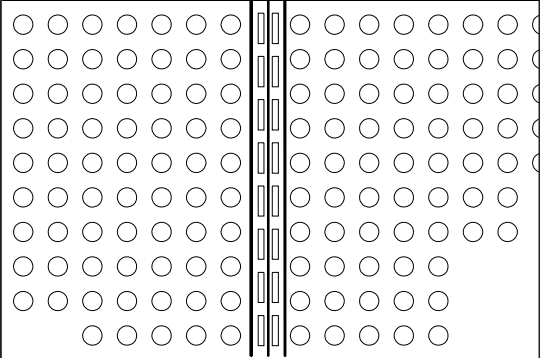
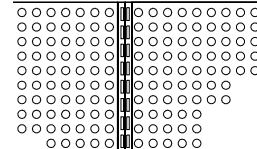
Start leveling from the high point on the floor and go out each way. Run must be level both vertically and horizontally.

STABILITY OF FIXTURE WITH LEVELERS DEMANDS THAT LEVELERS BE ADJUSTED OUT NO FURTHER THAN 1-1/2".

WRONG



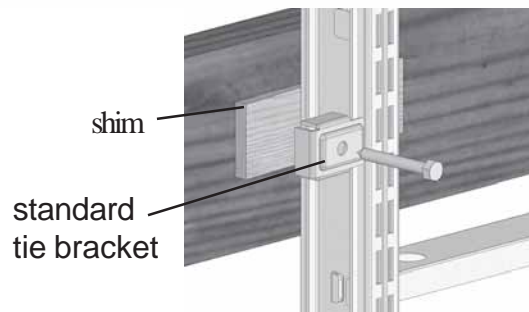
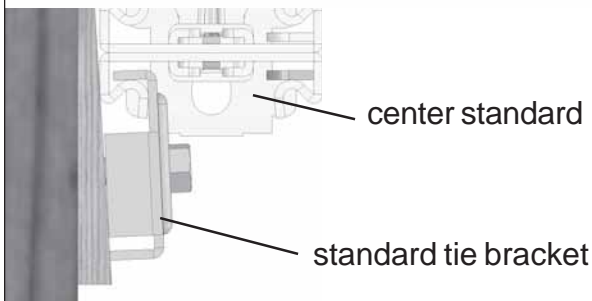
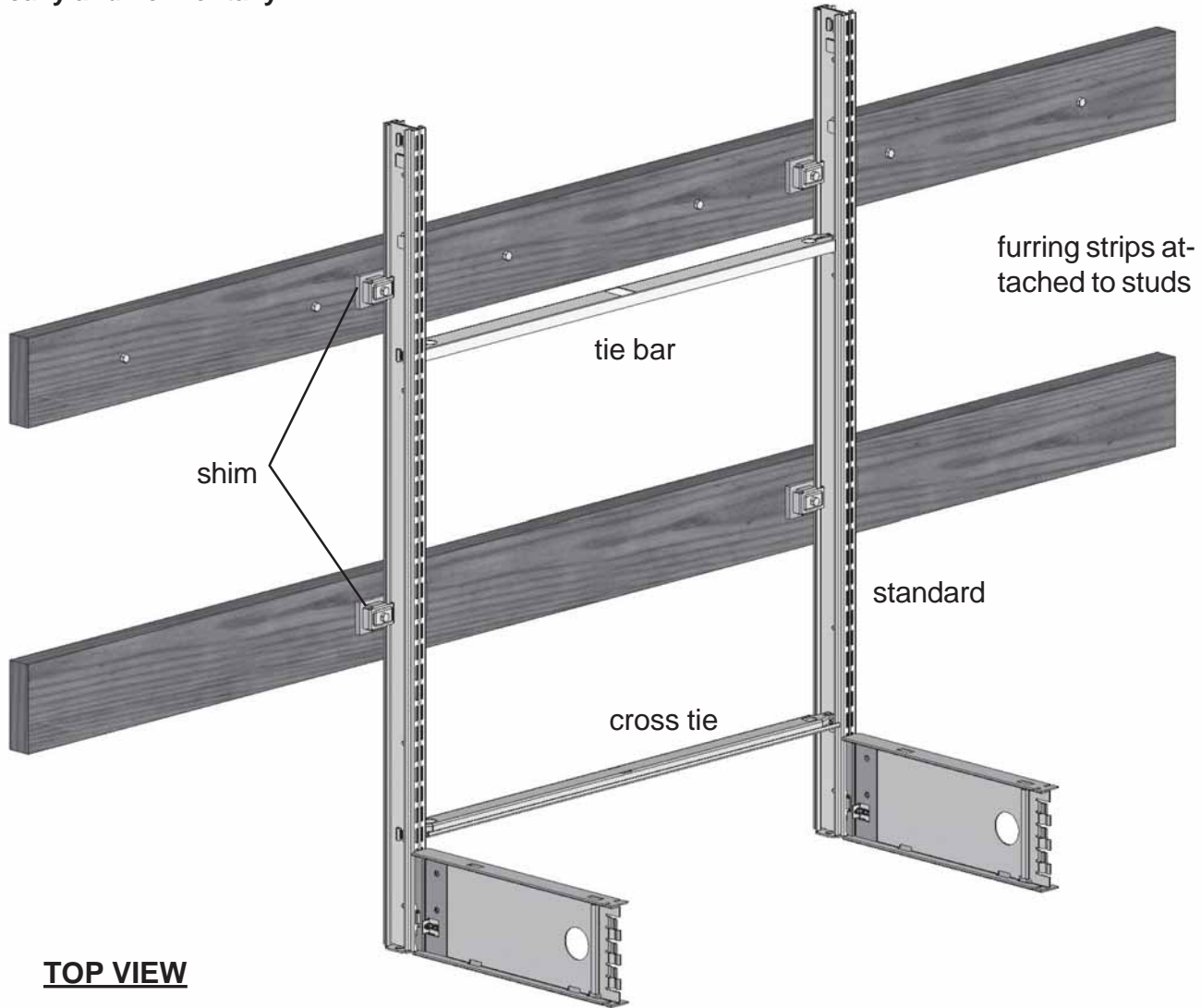
UNIT LEVEL



8

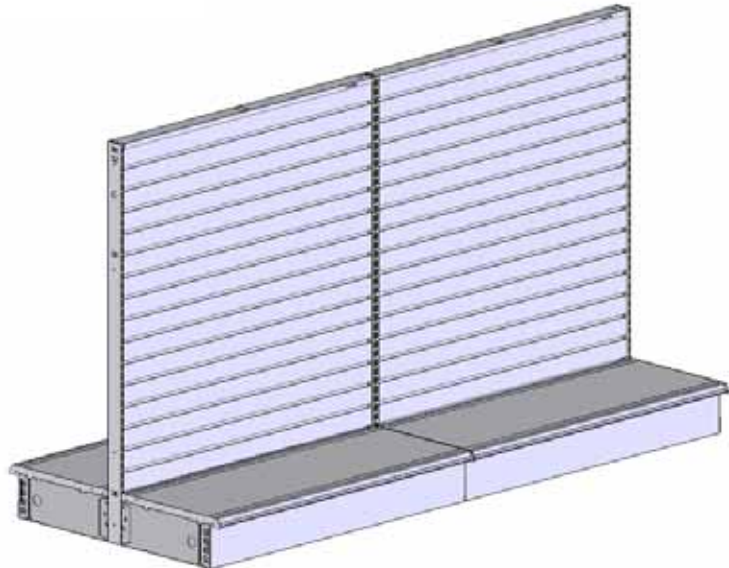
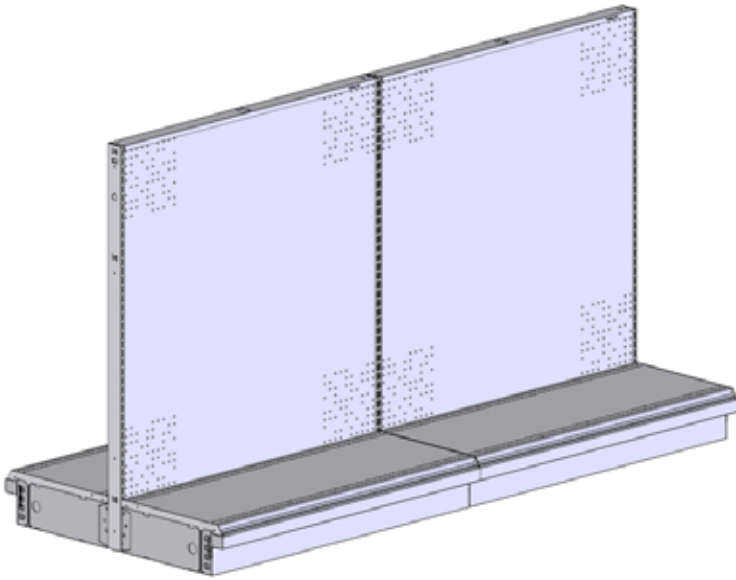
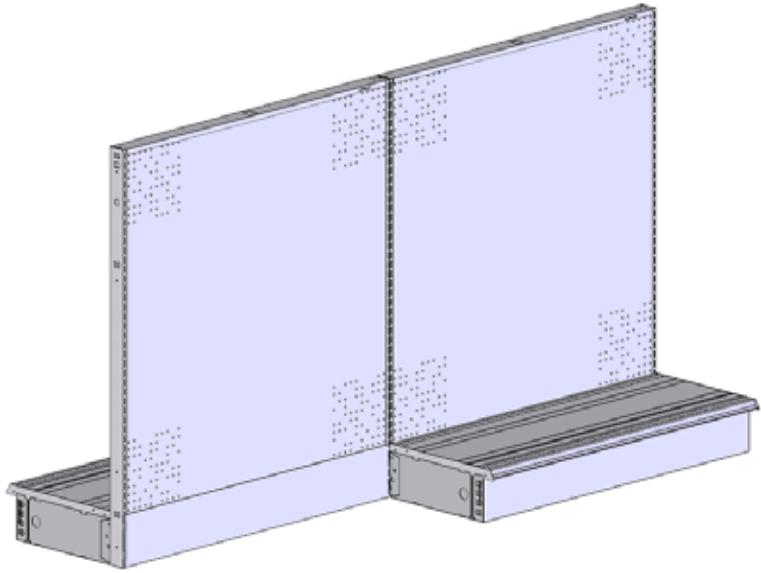
ULTRA 25K WALLCASE ASSEMBLY
Decks, leveling

Start leveling from the high point on the floor and go out each way. Run must be level both vertically and horizontally.

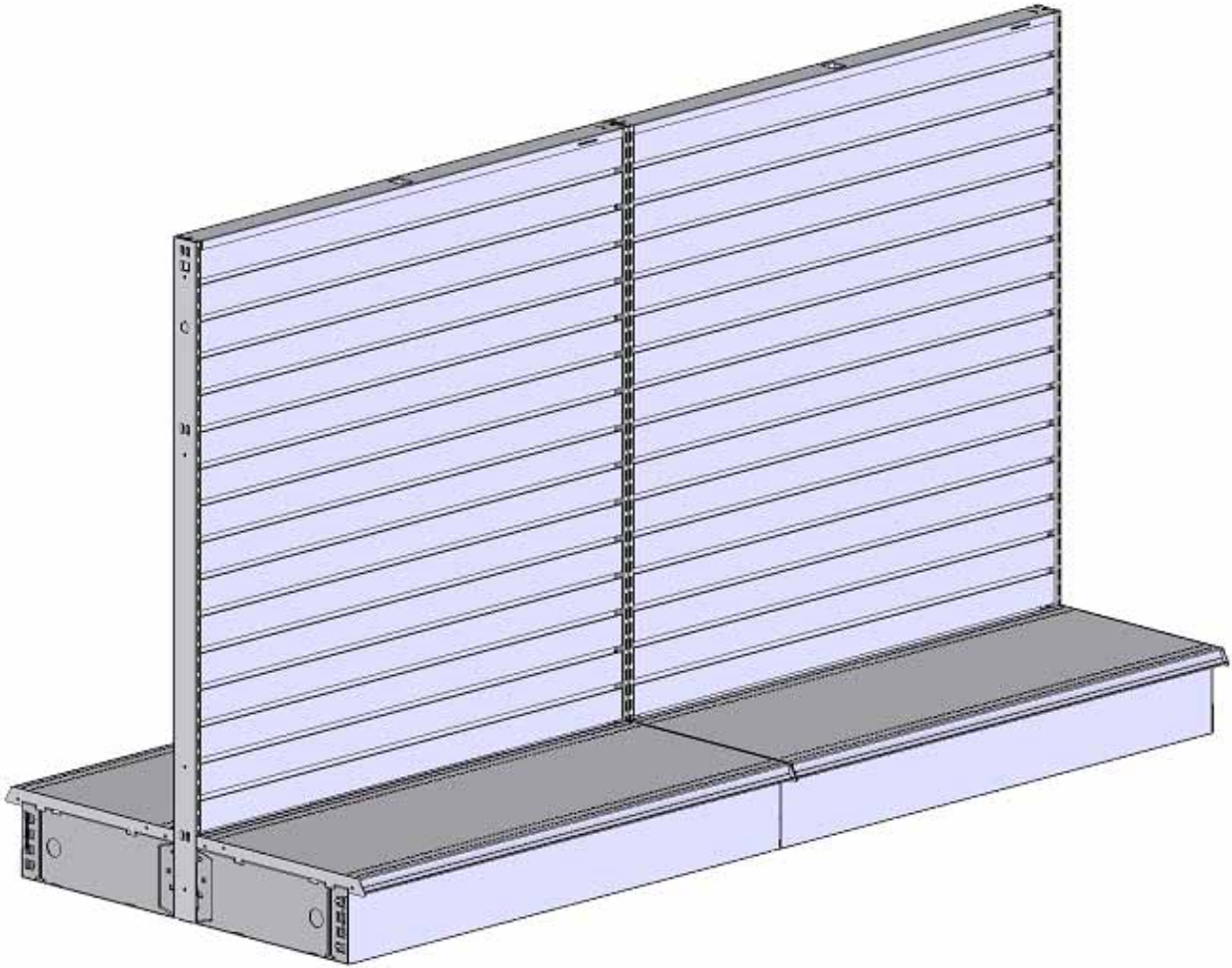


ATTENTION!

- 1.) Make sure wallcase is level and plum before anchoring to the wall.
- 2.) It is recommended to have a standard tie bracket 30"-36" from the floor when the standard is 108" or higher.
- 3.) Irregular walls and floors may make it necessary to shim beneath bottom arms and behind standards. After shimming, make sure bottom arms are square with standard and crosstie.
- 4.) Attach all units to the wall with standard tie bracket 10"-12" from the top of the standard
- 5.) Nails are not acceptable as fasteners for anchoring standards.



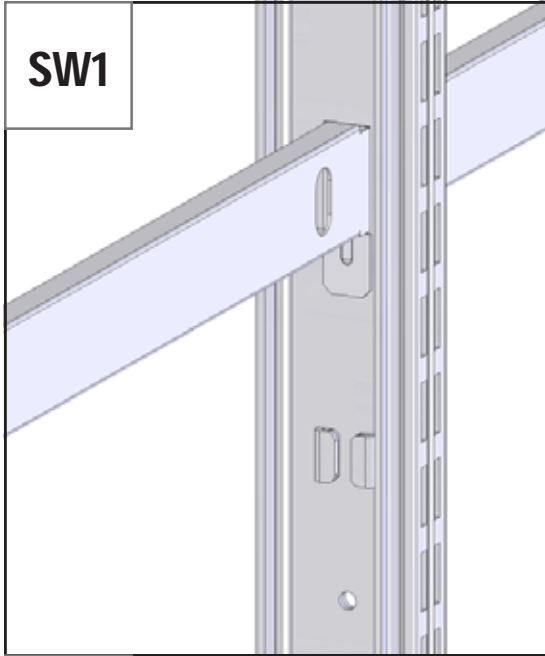
MISCELLANEOUS ASSEMBLY



SLATWALL BACK PANEL ASSEMBLY

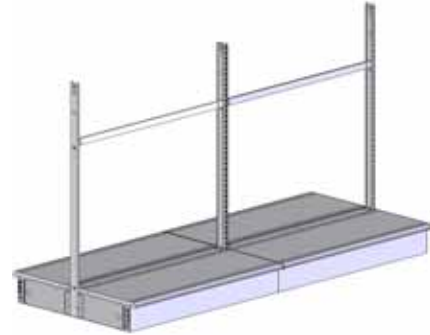
Full drawing

SW1

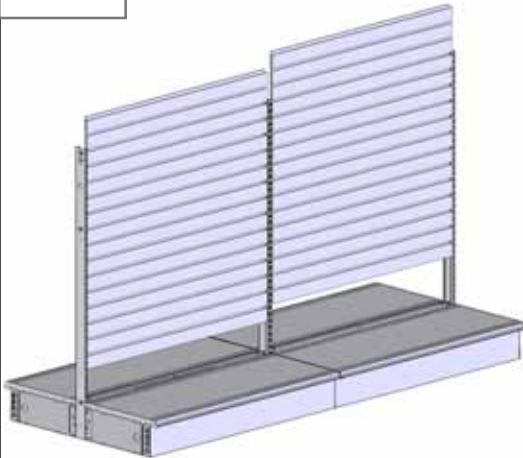


Install the slatwall tie bar by sliding it into place as pictured to the left. You may need to tap the slatwall tiebar to properly secure it.

Note: With your mallet tap the slatwall tie bar directly over the tab to properly seat it.



SW2



Install the slatwall back panel by inserting it into the channels slightly above the tie bar and slide it down the channels on the uprights as shown to the left. When installed the slatwall back panel should rest in or on the cross tie channel as shown below.

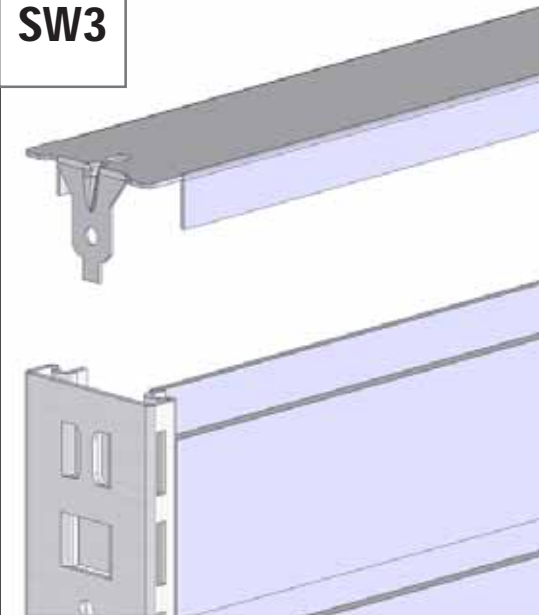


Inserts into cross tie



Sits on top of cross tie

SW3



Slide the top cap over the slatwall back panels and tap with your hand to seat it. When seated the topcap should be flush across the top.

